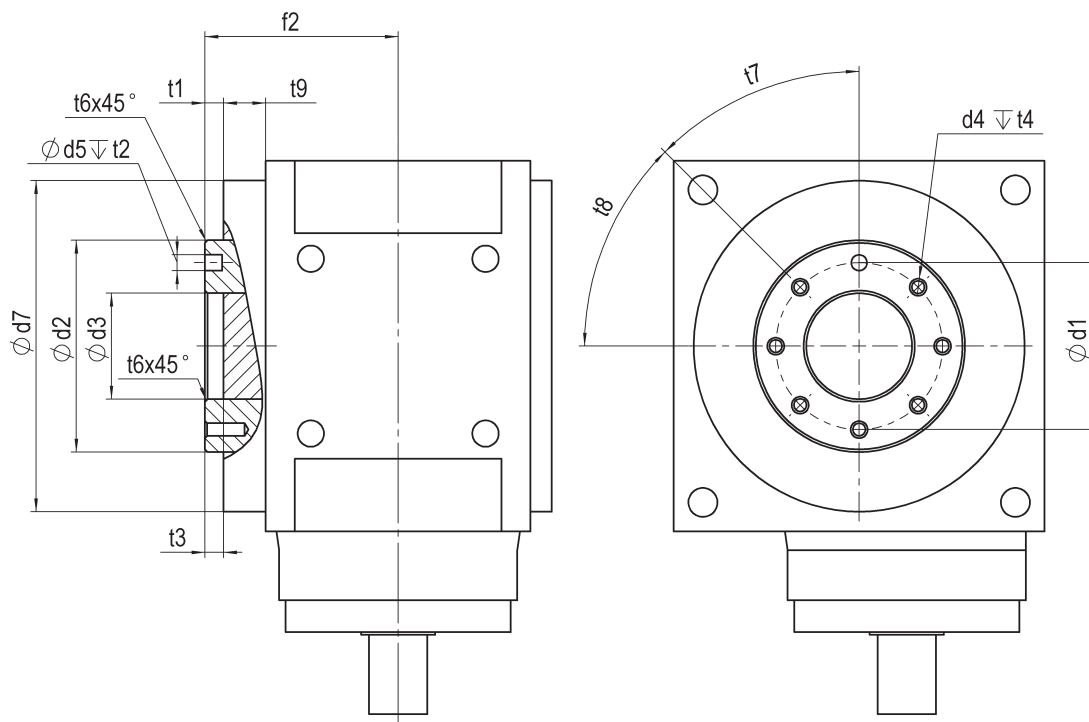


Options

Block flange to EN ISO 9409-1

Size	Position	Pitch circle $\emptyset d_1$		$\emptyset d_2^{H8}$	$\emptyset d_3^{H7}$	$\emptyset d_4$	$\emptyset d_5^{H7}$	$\emptyset d_7$	f_2	t_1
		Series 1	Series 2							
D55	3	40	–	50	25	M6	6	89	57	7
D75	4	–	50	63	31.5	M6	6	105	62.5	7
D90	5	63	–	80	40	M6	6	125	73	7
D115	6	–	80	100	50	M8	8	150	87	10
D130	6	–	80	100	50	M8	8	173	96.5	10
D140	7	100	–	125	63	M8	8	195	100.5	10
D160	7	100	–	125	63	M8	8	225	115	12
D190	8	–	125	160	80	M10	10	245	132.5	12

	t_2	t_3	t_4	t_6	t_7	t_8	t_9	N
D55	6.5	6.5	Thread depth $> 1.5 \times d_4$	1	45	45	20	7
D75	6.5	6.5		1	45	45	15.5	7
D90	6.5	6.5		1	45	45	16	7
D115	8.5	8.5		1	30	30	17	11
D130	8.5	8.5		1	30	30	17.5	11
D140	8.5	8.5		1	30	30	17.5	11
D160	8.5	8.5		1	30	30	20	11
D190	10.5	8.5		1	30	30	22.5	11



Low noise gearbox version

Size	D37	D55	D75	D90	D115	D130	D140	D160	D190
Noise level [dB(A)] ($n_1 = 3000 \text{ min}^{-1}$)	< 64	< 64	< 64	< 66	< 66	< 67	< 67	< 68	< 69

Gearbox with backlash $< 1 \text{ arc min}$

available on request