

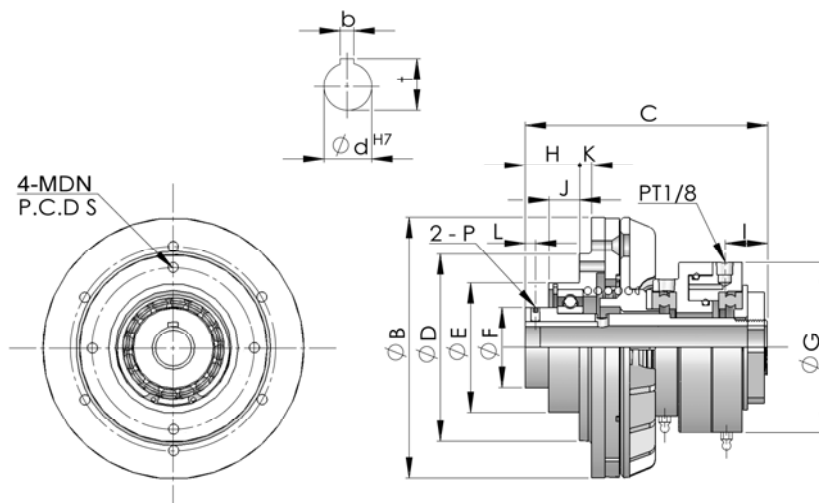
SIZE		NAC 2	NAC 5	NAC 10	NAC 40	NAC 60
Static Torque	kgfm	2	5	10	40	60
Bore Dia	$\varnothing d^{H7}$	20	25	35	50	60
Keyway	b x t x l	5 x 22.3 x 30	6 x 27.8 x 30	10 x 38.3 x 40	12 x 53.3 x 60	18 x 64 x 95
Unit Weight	kg	3	5.5	13	23	50

These clutches are normally air –operated at pressure up to 6 bar/ 90 psi.

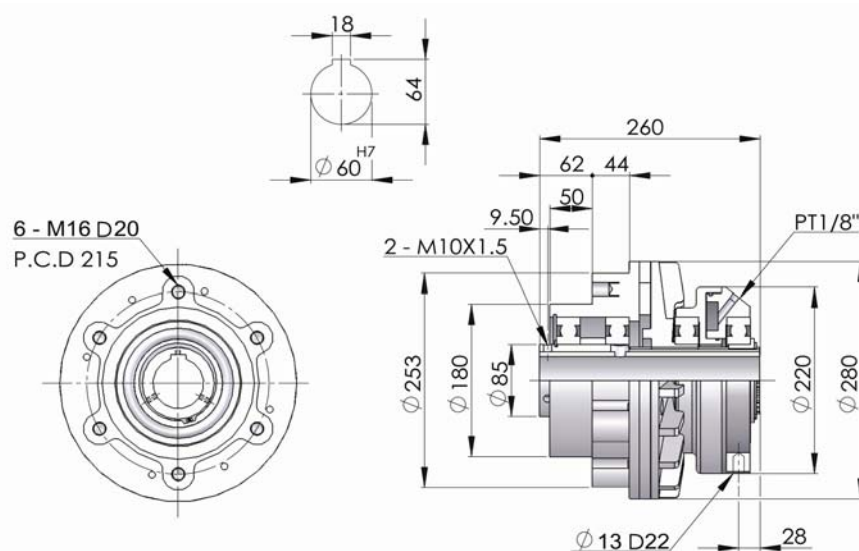
The maximum energy per engagement figures quoted is based on a frequency of engagement not exceeding 30 per hour.

The clutch assembly comes lubricated and ready to install. Grease nipples are fitted to the piston and cylinder for periodic lubrication of the thrust bearing. Use a good grade bearing lubricant. Do not over grease.

NAC 2-40



NAC-60



Size	B	C	D	E	F	G	H	I	J	K	L	M	N	P	S
NAC 2	115	120	90	65	35	90	24.5	18	17	5	5.5	M6	11	M6	80
NAC 5	153	142	110	76	47	100	32	24	18	7	6	M6	14	M6	95
NAC 10	205	185	140	105	69.5	138	38	30	22	17	9	M8	16	M10	125
NAC 40	258	226	164	125	82	175	51	38	40	24	8	M10	16	M10	145

NIIKA Limited reserves the right to modify or change the design without prior notice.